

SIRUBA GAGE PARTS LIST	Series	Remark	Page	Date
	DL918	RM1	1/2	2012/1/10

DL918-RM1 規格件表 CONVERSION CHART

P1

MODEL	SUB-CLASS	OPERATING PANEL	GAUGE WIDTH	NEEDLE PLATE	FEED DOG	PRESSER FOOT	HOOK ASM	BOBBIN CASE ASM	BOBBIN	THROAT PLATE CHIP GUARD	NEEDLE	THREAD GUIDE	THROAT PLATE COVER	HAND WHEEL	MOTOR
DL918-RM1-32-10 DL918-RM1-32-13 <sup>2</sup>	32		1/8" (3.2mm)	E705Q <E705S>	D705 <D702>	P705 <P701>	G121	G202	G303	LR254D <LR254>	DBX1#14	LR141S <LR106-E>			
DL918-RM1-40-10 DL918-RM1-40-13 <sup>2</sup>	40	LU277-A	5/32" (4.0mm) <E705Q>	E705R	D705	P705	G121	G202	G303	LR254D	DBX1#14	LR141S <LR106-E>		LH500-E	TS0D8S11

〈 〉之規格件放於夾線袋裝于成車箱內, BOM表編號40站。

SIRUBA GAGE PARTS LIST	Series	Remark	Page	Date
	DL918	RM1	2 / 2	2012/11/01

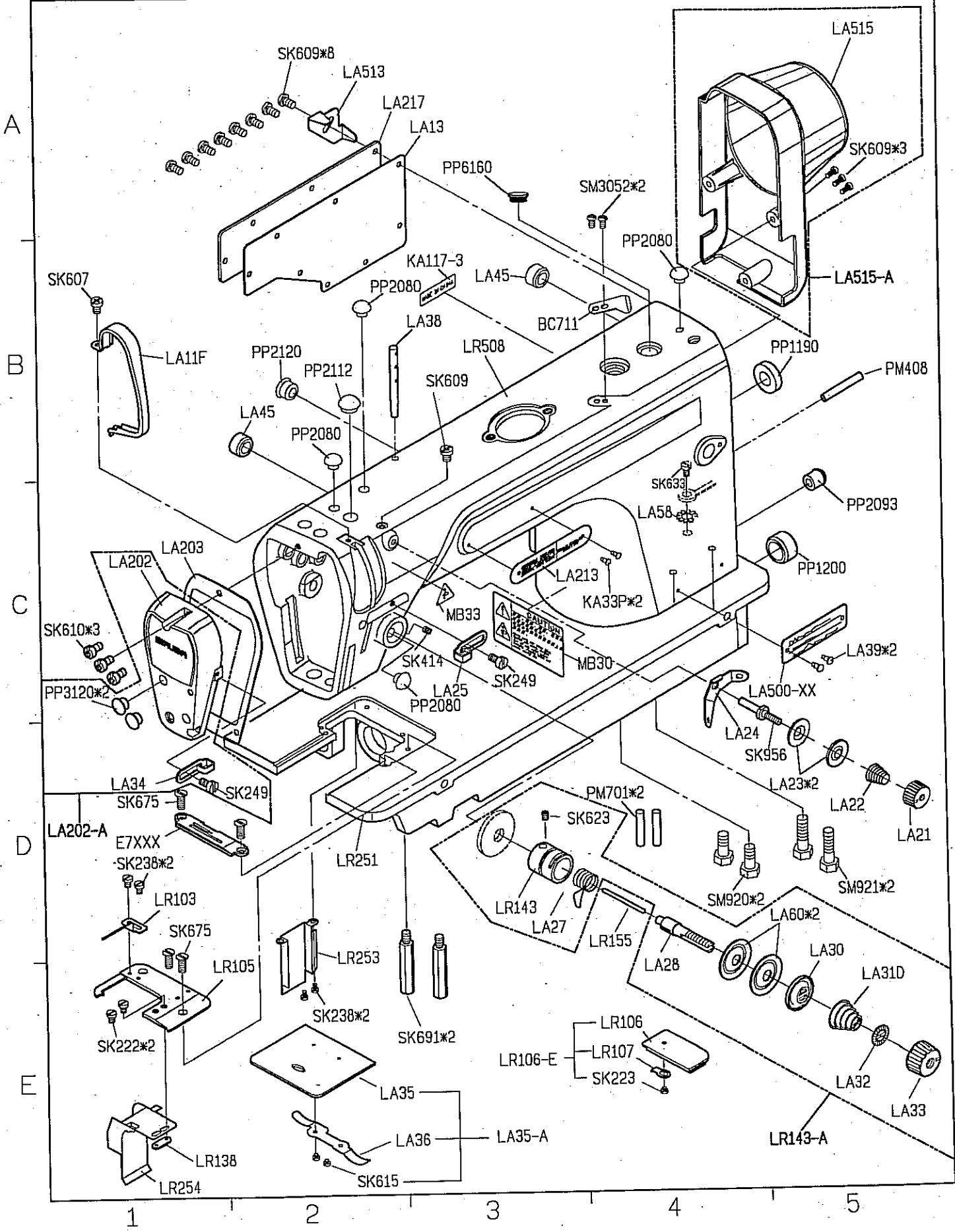
DL918-RM1 規格件表 CONVERSION CHART

P2

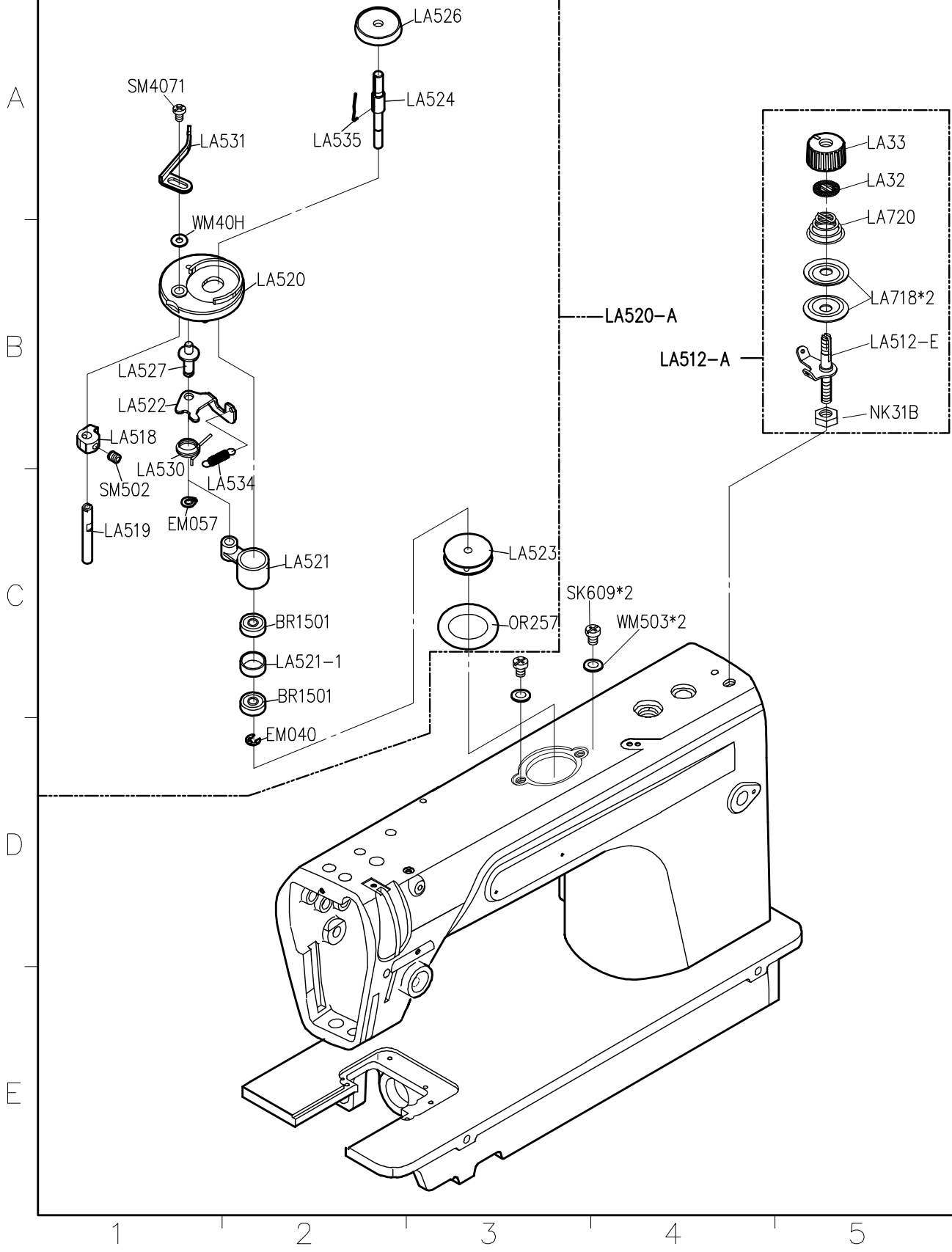
機 型	規 格	操 作 盒	切 邊 距 離	針 板	送 具	押 具	梭 頭	梭 殼	梭 子	下 導 布 架	針 號	導 線 片	布 板 蓋	手 輪	馬 達
DL918-RM1-48-10 DL918-RM1-48-13 <sup>2</sup>	48		3/16"(4.8mm) <E705Q>	E705 <E705Q>	D705	P705	G121	G202	G303	LR254D	DBX1 #14	LR141S (LR106-E)			
DL918-RM1-64-10 DL918-RM1-64-13 <sup>2</sup>	64	LU277-A	1/4"(6.4mm) <E705Q>	E705S <E705Q>	D702 (D705)	P701 (P705)	G121	G202	G303	LR254 (LR254D)	DBX1 #14	LR141S (LR106-E)	LH500-E	T50D8S11	
DL918-RM1-95-10 DL918-RM1-95-13 <sup>2</sup>	95		3/8"(9.5mm) <E705Q>	E705T <E705Q>	D702 (D705)	P701 (P705)	G121	G202	G303	LR254 (LR254D)	DBX1 #14	LR141S (LR106-E)			

( ) 之規格件放於夾鏈袋裝于成車箱內, BOM表編號40站.

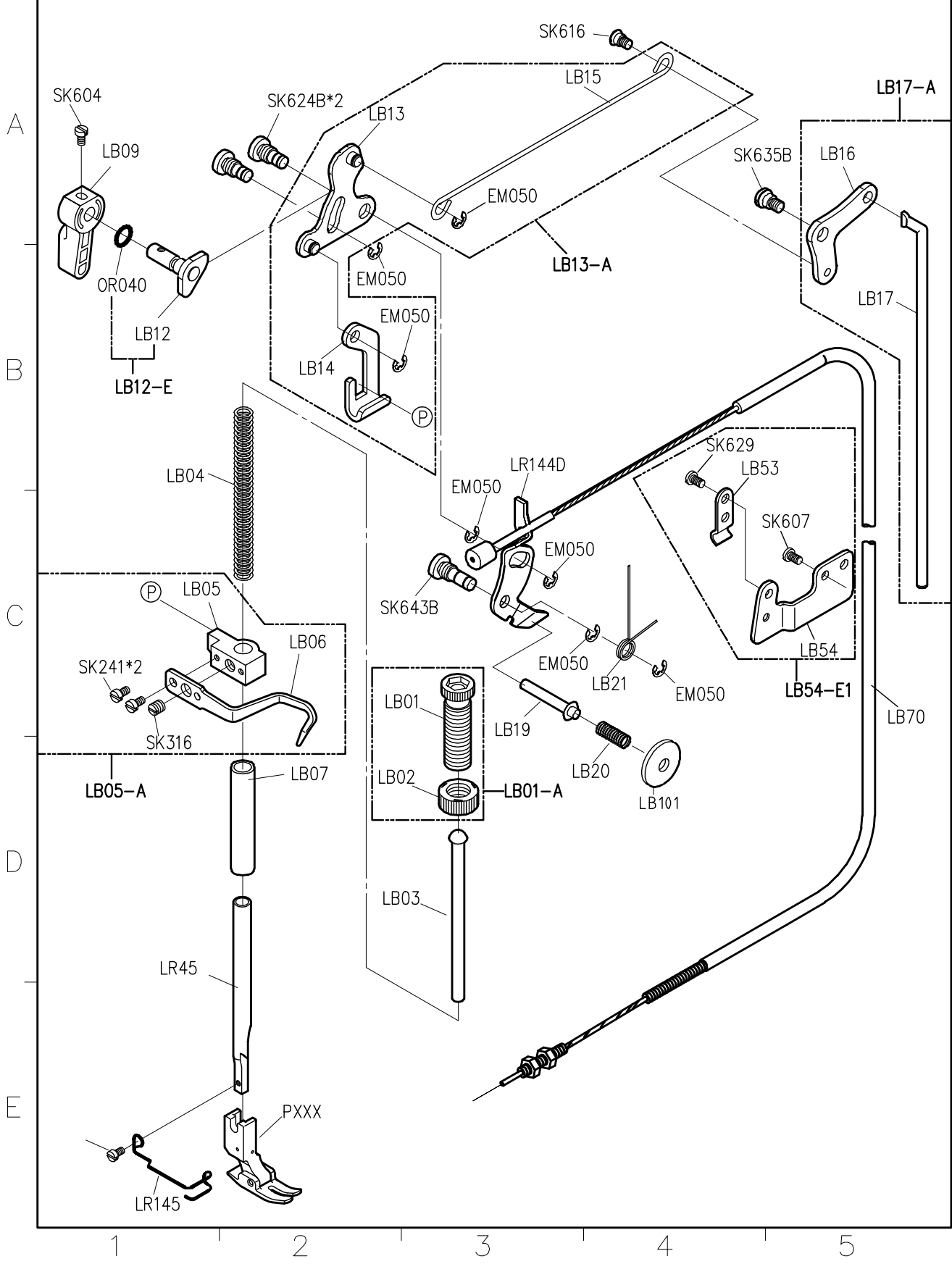
SIRUBA PARTS LIST	Series	Parts Group	Subclass / Remark	Page
	DL918-RM1	LA		1/2
				Date
				2013/03/26



SIRUBA PARTS LIST	Series	Parts Group	Subclass / Remark	Page
	DL918-RM1	LA		2/2
				Date
				2012/09/12



SIRUBA PARTS LIST	Series	Parts Group	Subclass / Remark	Page
	DL918-RM1	LB		1/1
				Date
				2012/09/12



SIRUBA PARTS LIST	Series	Parts Group	Subclass / Remark	Page
	DL918-RM1	LC		1/1
				Date
				2012/09/12

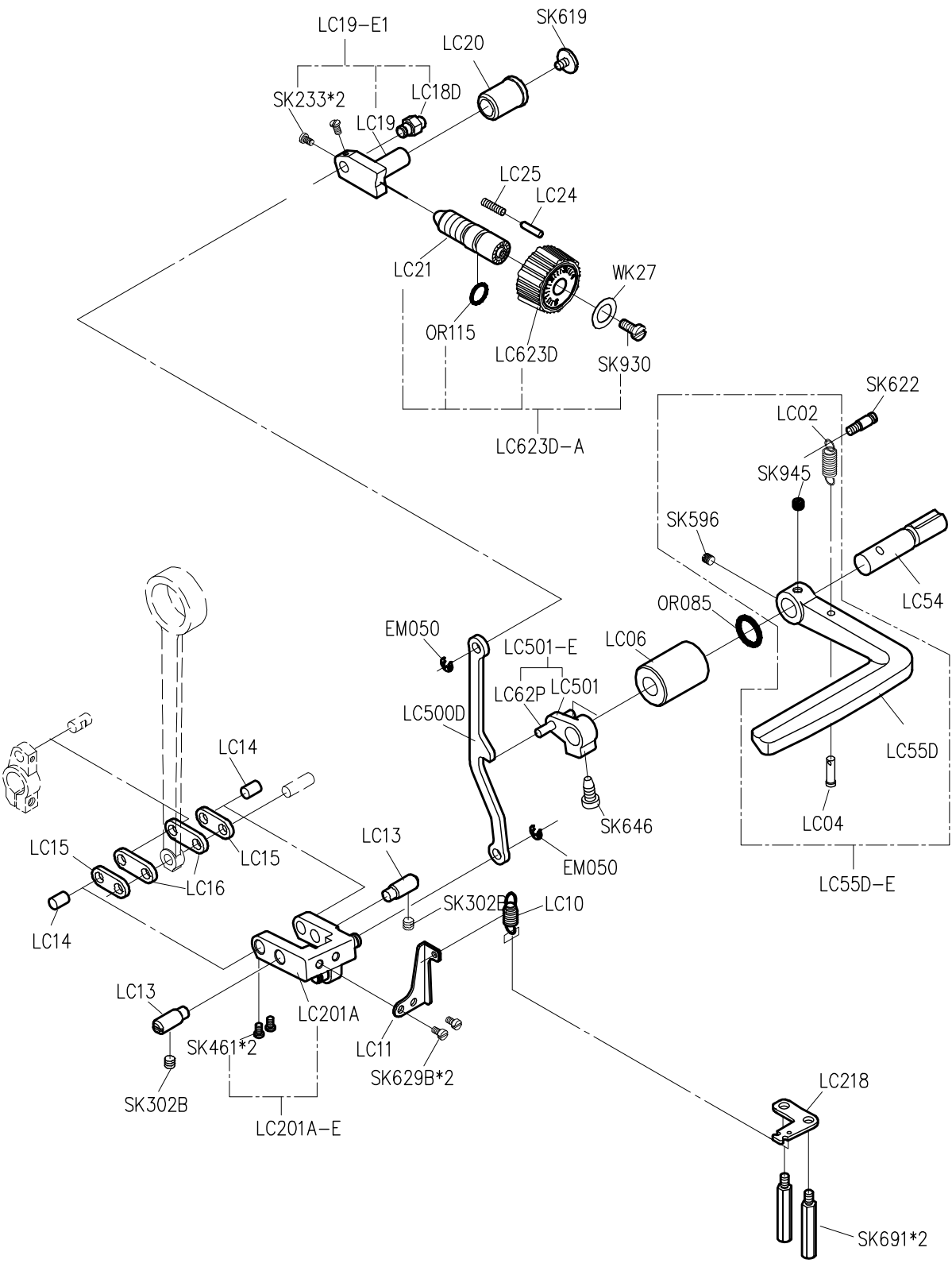
A

B

C

D

E



1

2

3

4

5

<b>SIRUBA</b> <b>PARTS LIST</b>	<b>Series</b>	<b>Parts Group</b>	<b>Subclass / Remark</b>	<b>Page</b>
	<b>DL918-RM1</b>	<b>LD</b>		<b>1/1</b>
				<b>Date</b>
				<b>2012/09/12</b>

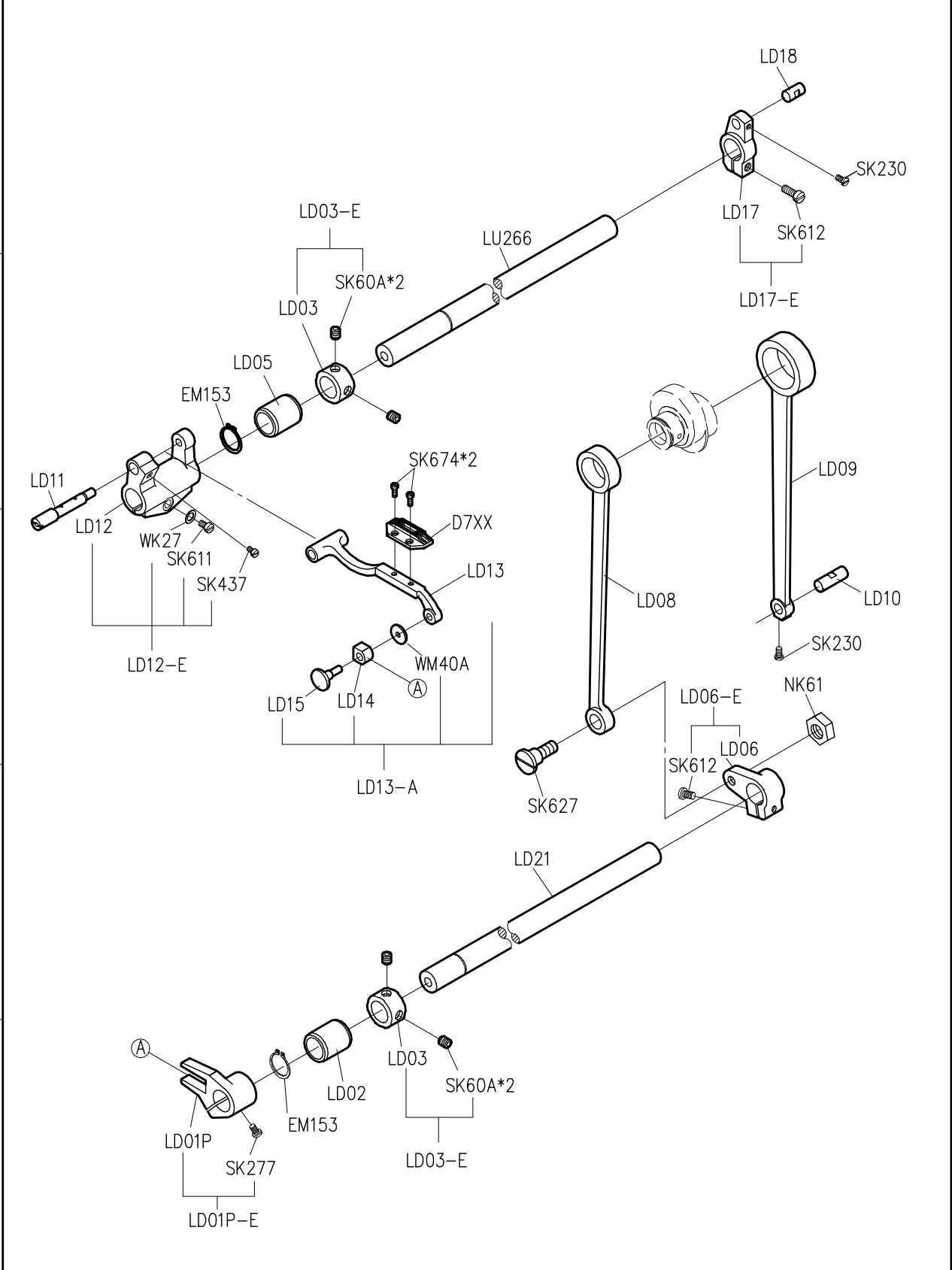
A

B

C

D

E



1

2

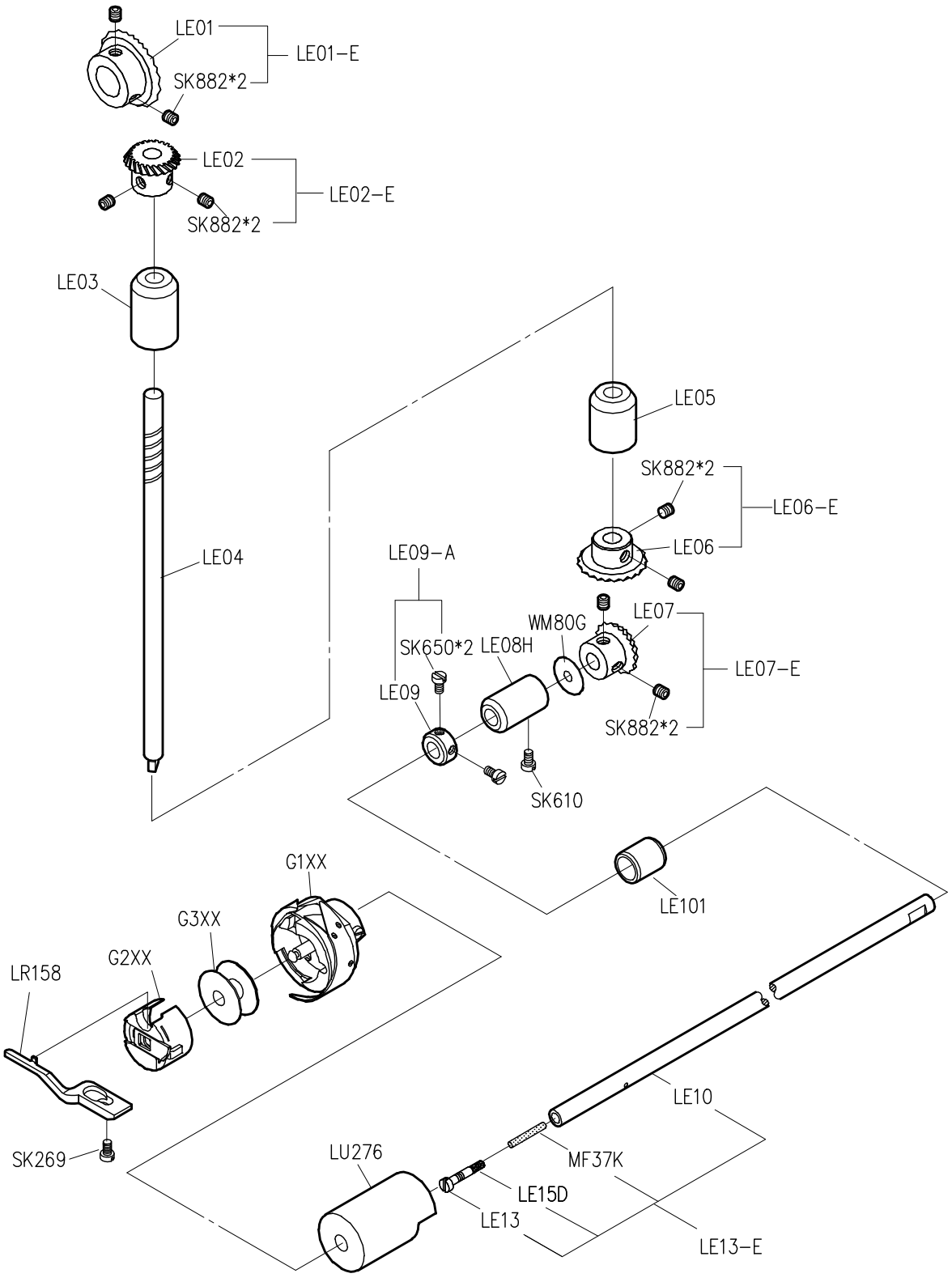
3

4

5

SIRUBA PARTS LIST	Series	Parts Group	Subclass / Remark	Page
	DL918-RM1	LE		1/1
				Date
				2013/01/10

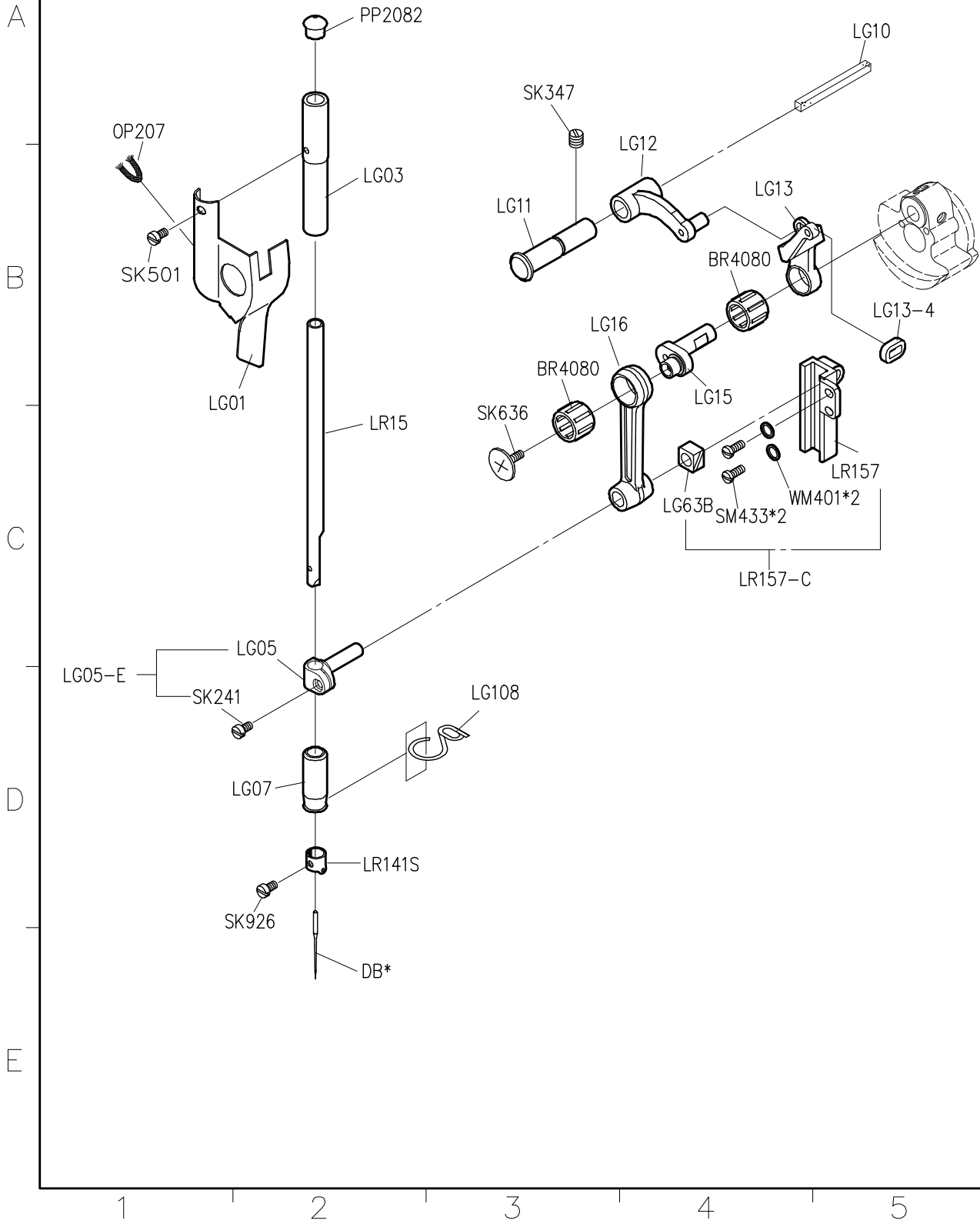
A  
B  
C  
D  
E



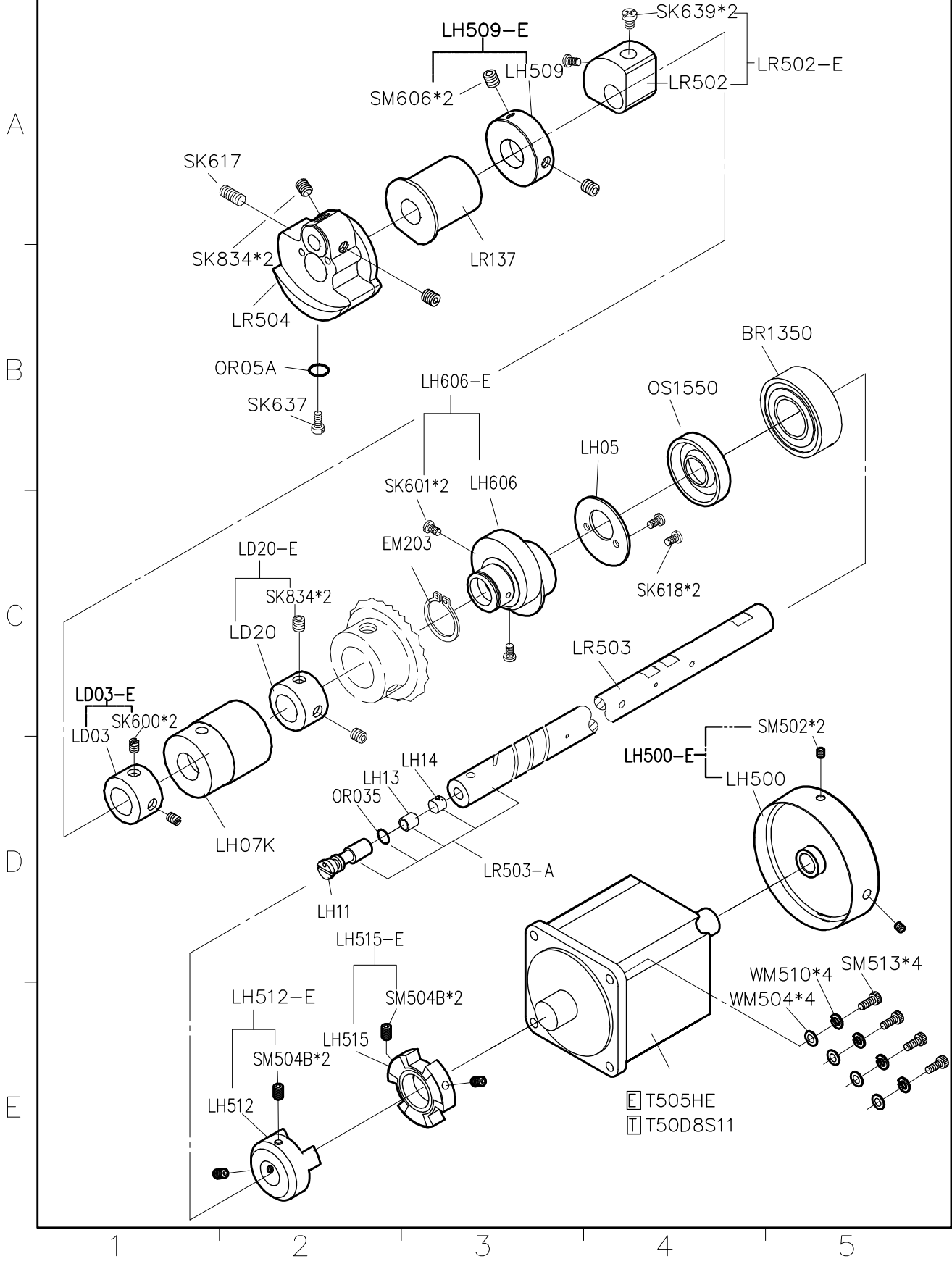
1 2 3 4 5



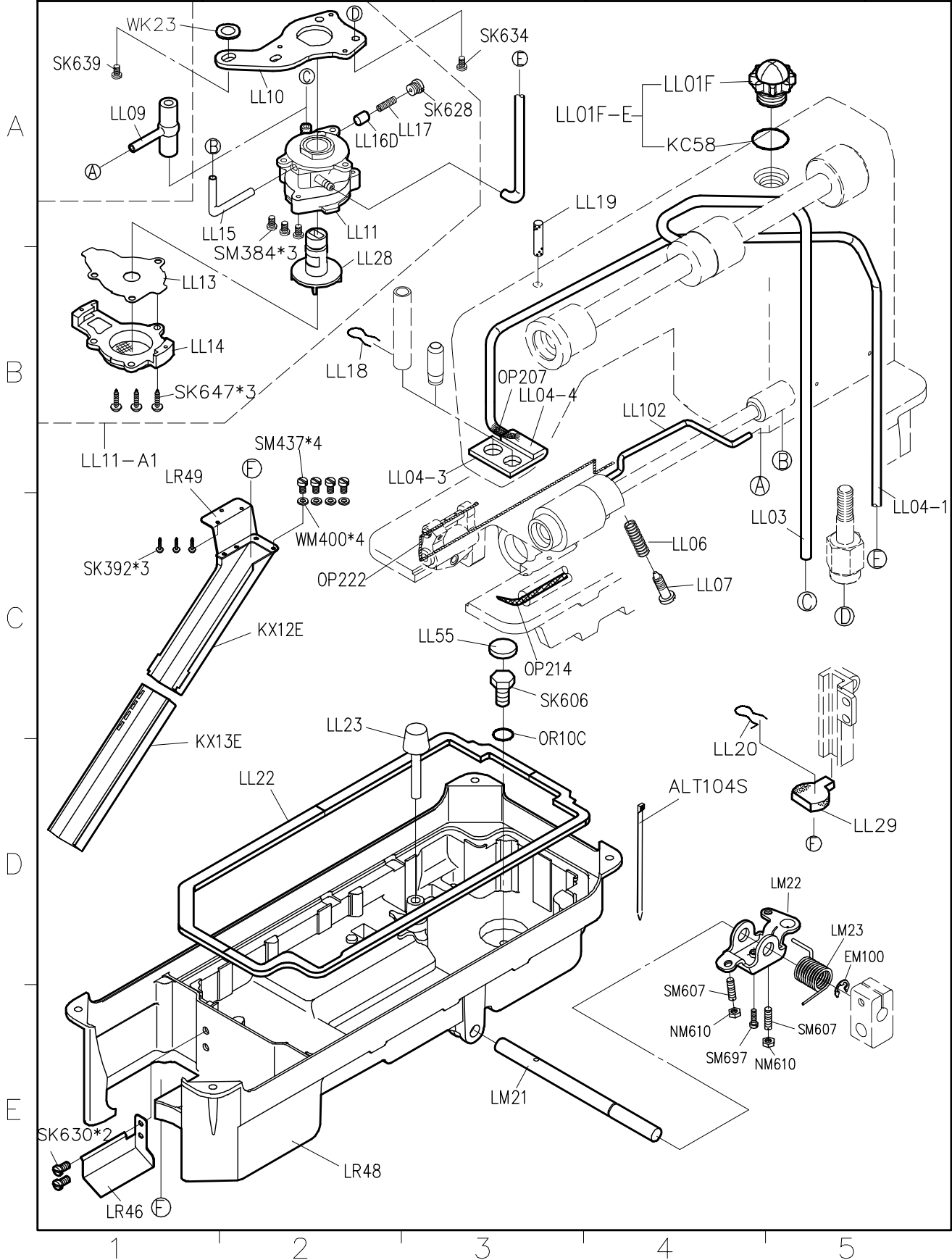
<b>SIRUBA</b> <b>PARTS LIST</b>	<b>Series</b>	<b>Parts Group</b>	<b>Subclass / Remark</b>	<b>Page</b>
	<b>DL918-RM1</b>	<b>LG</b>		<b>1/1</b>
				<b>Date</b>
				2012/09/12



<b>SIRUBA</b> <b>PARTS LIST</b>	<b>Series</b>	<b>Parts Group</b>	<b>Subclass / Remark</b>	<b>Page</b>
	<b>DL918-RM1</b>	<b>LH</b>		<b>1/1</b>
				<b>Date</b>
				2012/09/12



SIRUBA PARTS LIST	Series	Parts Group	Subclass / Remark	Page
	DL918-RM1	LL		1/1
				Date
				2012/12/27



<b>SIRUBA</b> <b>PARTS LIST</b>	<b>Series</b>	<b>Parts Group</b>	<b>Subclass / Remark</b>	<b>Page</b>
	<b>DL918-RM1</b>	<b>LM</b>		<b>1/1</b>
				<b>Date</b>
				<b>2012/11/01</b>

LM20-A

LM24-E

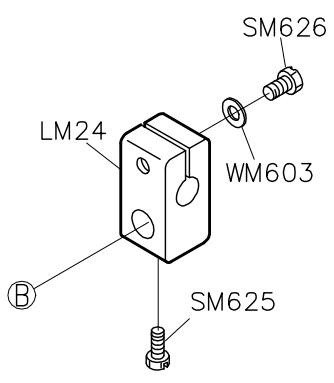
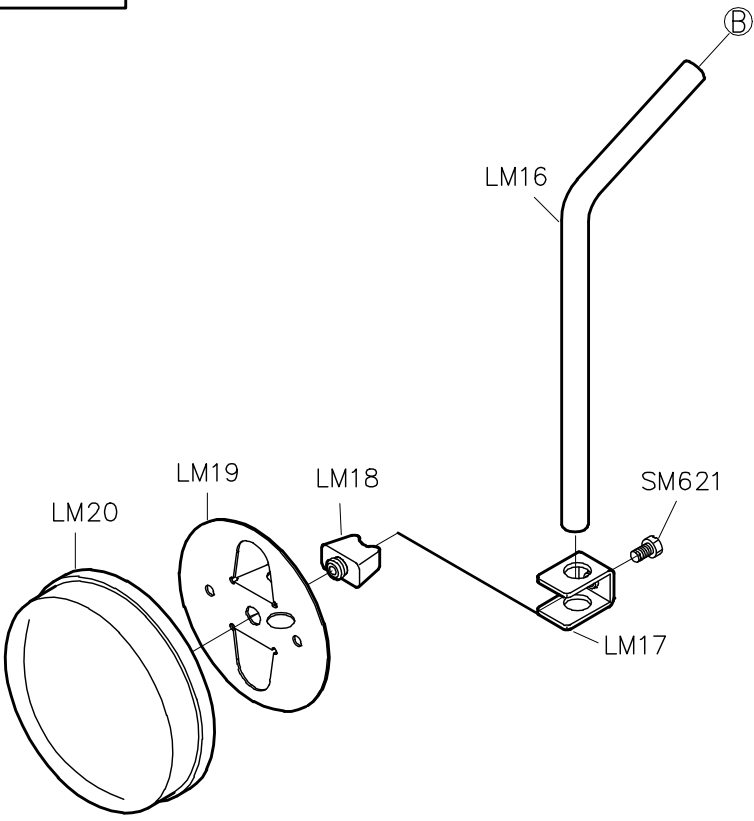
A

B

C

D

E



1

2

3

4

5

<b>SIRUBA</b> <b>PARTS LIST</b>	<b>Series</b>	<b>Parts Group</b>	<b>Subclass / Remark</b>	<b>Page</b>
	<b>DL918-RM1</b>	<b>LR</b>		<b>1/1</b>
				<b>Date</b>
				<b>2013/01/08</b>

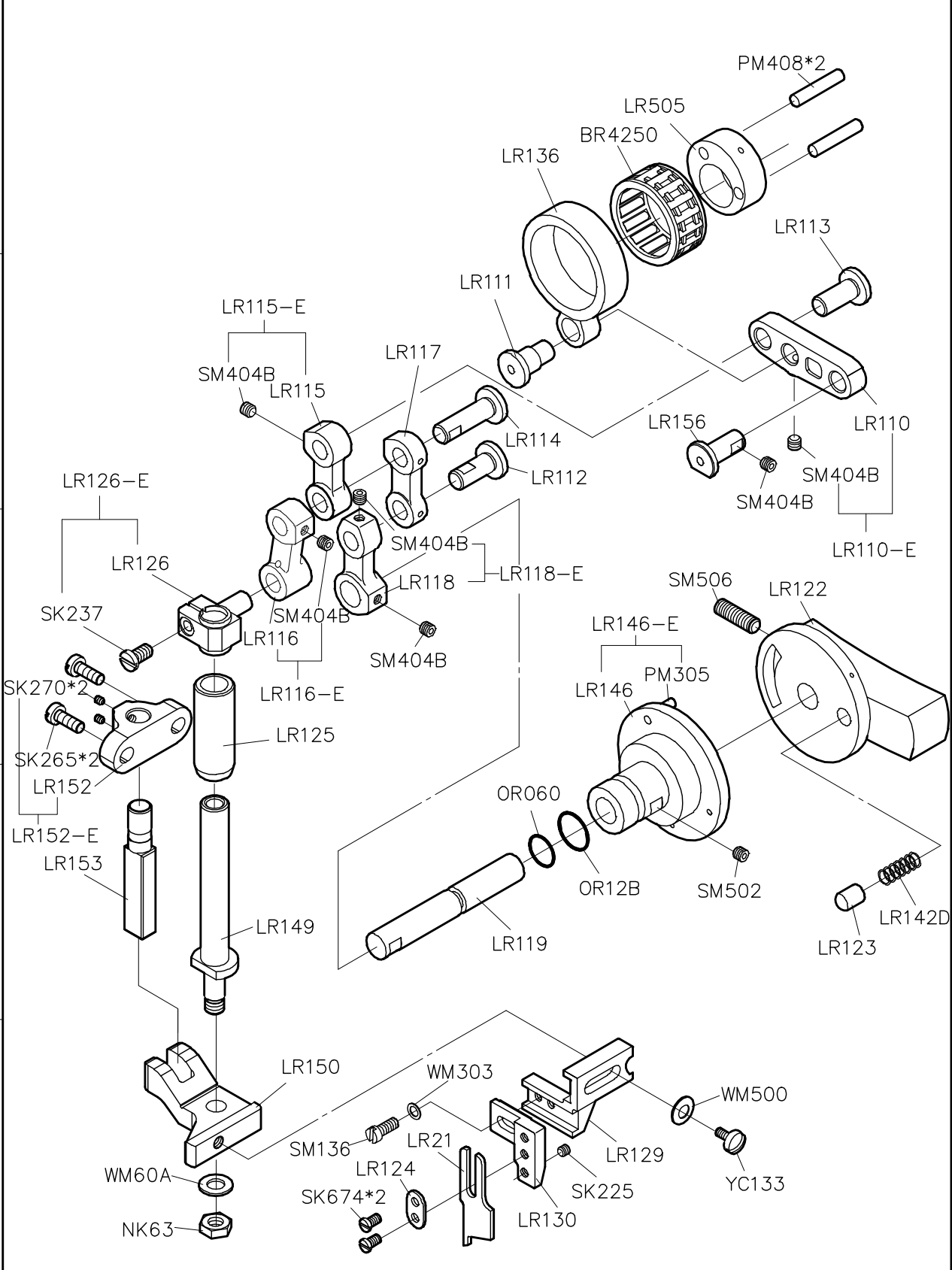
A

B

C

D

E



1

2

3

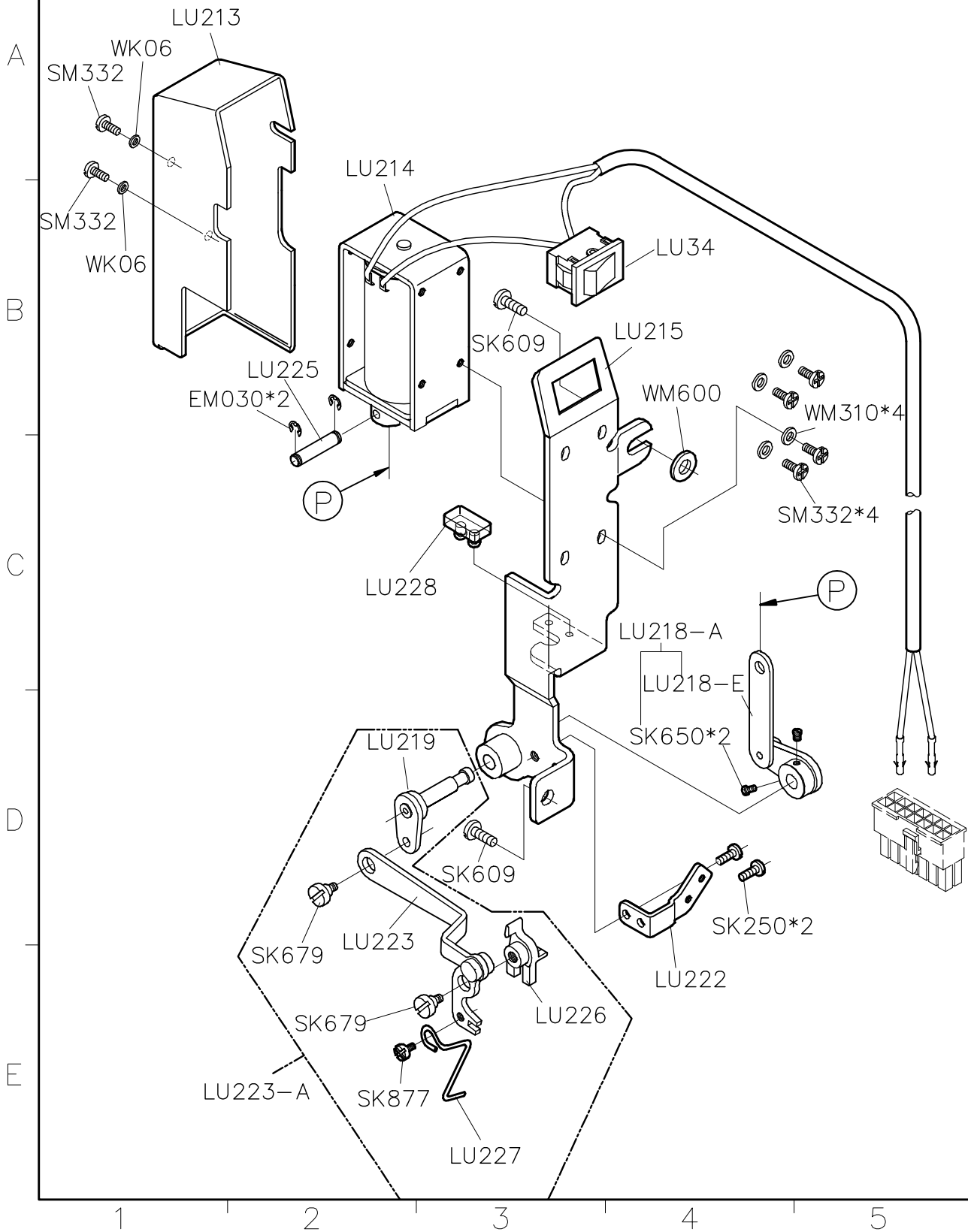
4

5

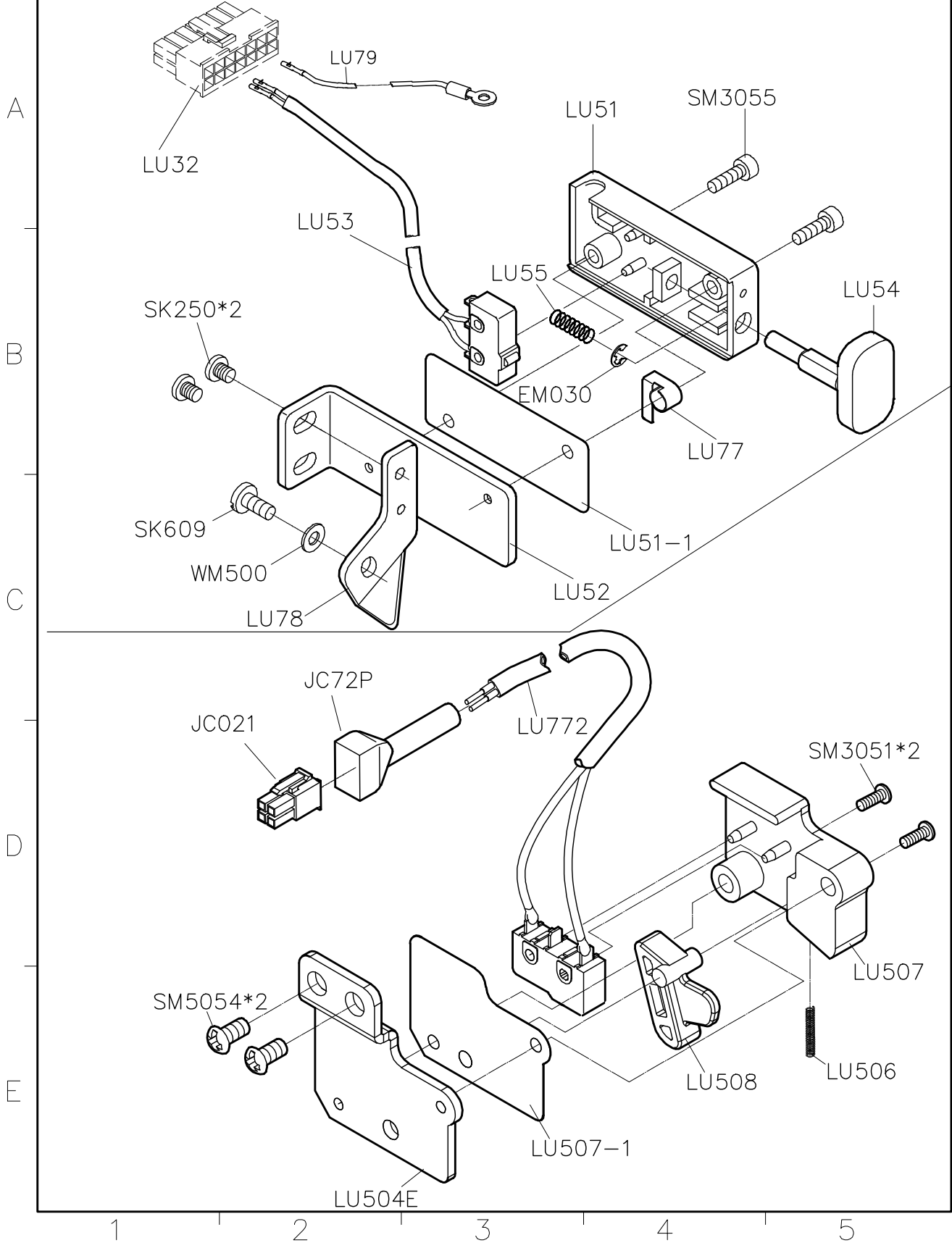


SIRUBA PARTS LIST	Series	Parts Group	Subclass / Remark	Page
	DL918-RM1	LU		2/7
				Date
				2012/11/01

LU215-A

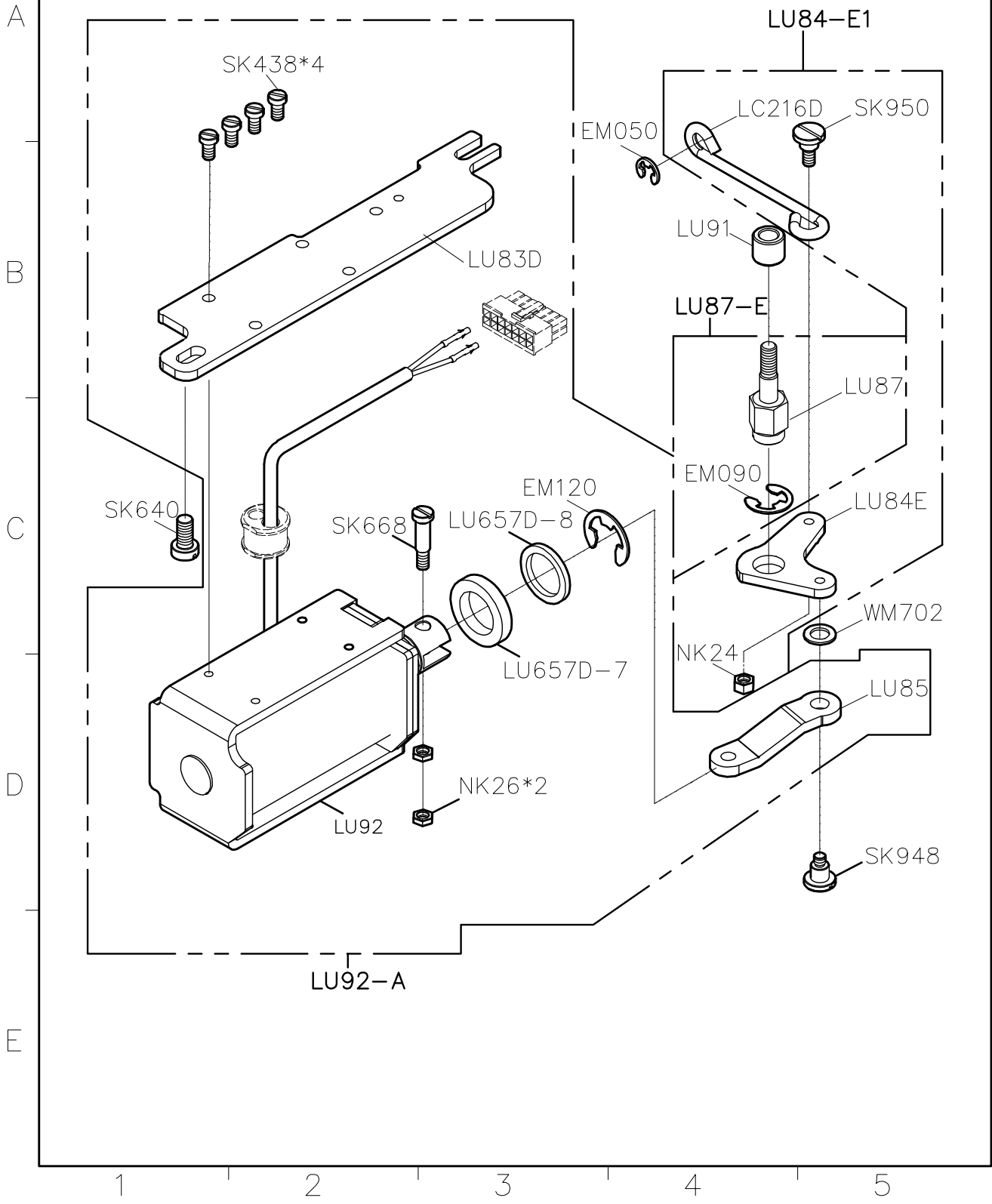


<b>SIRUBA</b> <b>PARTS LIST</b>	<b>Series</b>	<b>Parts Group</b>	<b>Subclass / Remark</b>	<b>Page</b>
	<b>DL918-RM1</b>	<b>LU</b>		3/7
				<b>Date</b>
				2012/11/01





SIRUBA PARTS LIST	Series	Parts Group	Subclass / Remark	Page
	DL918-RM1	LU		4/7
				Date
				2012/11/08



<b>SIRUBA</b> <b>PARTS LIST</b>	<b>Series</b>	<b>Parts Group</b>	<b>Subclass / Remark</b>	<b>Page</b>
	<b>DL918-RM1</b>	<b>LU</b>		<b>5/7</b>
				<b>Date</b>
				<b>2012/11/01</b>

LU64F-A1

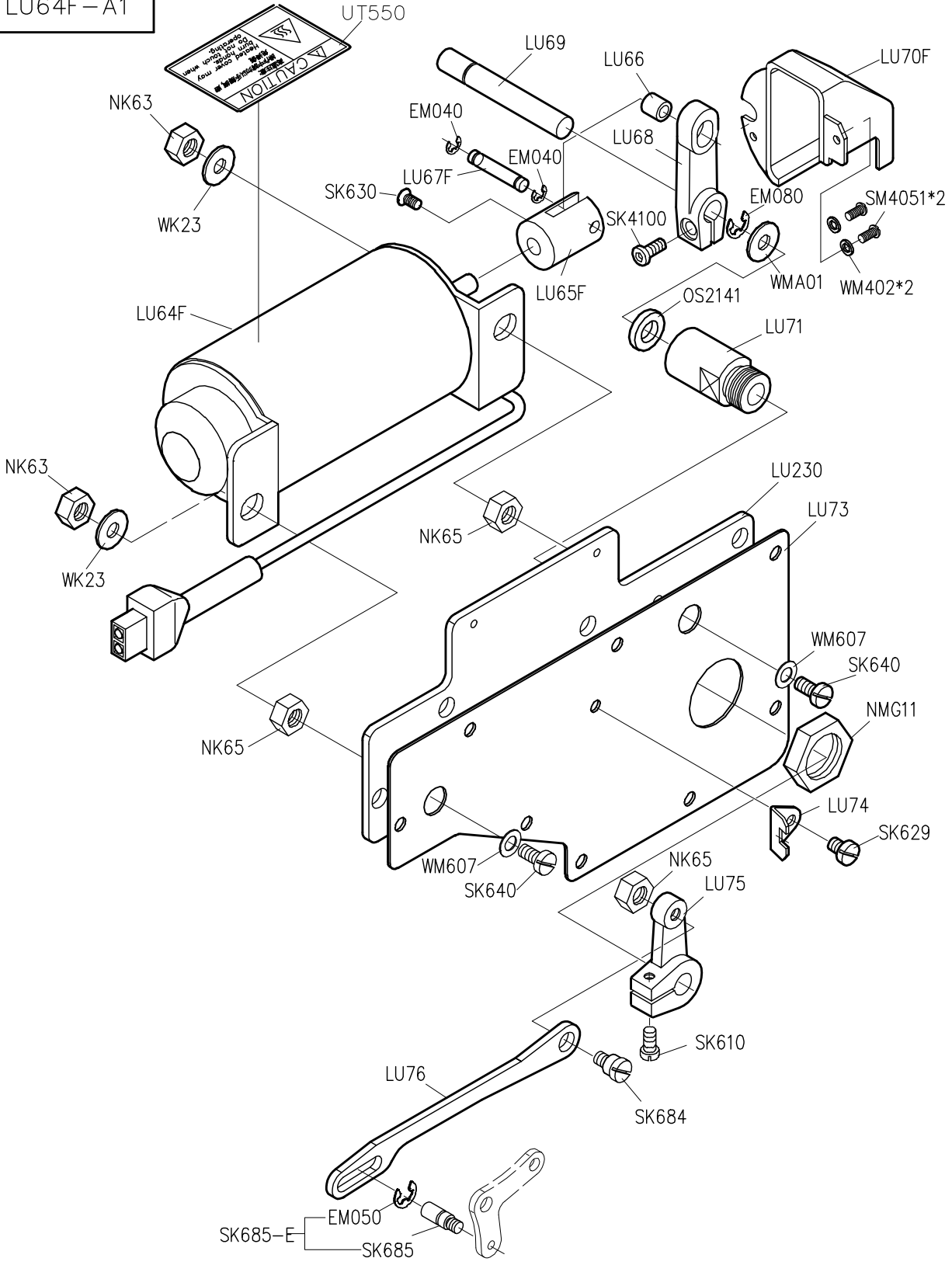
A

B

C

D

E

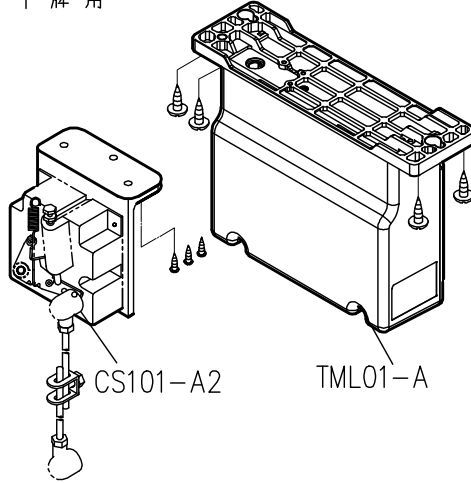


1 2 3 4 5

<b>SIRUBA</b> <b>PARTS LIST</b>	<b>Series</b>	<b>Parts Group</b>	<b>Subclass / Remark</b>	<b>Page</b>
	DL918-RM1	LU		6/7
				<b>Date</b>
				2012/11/01

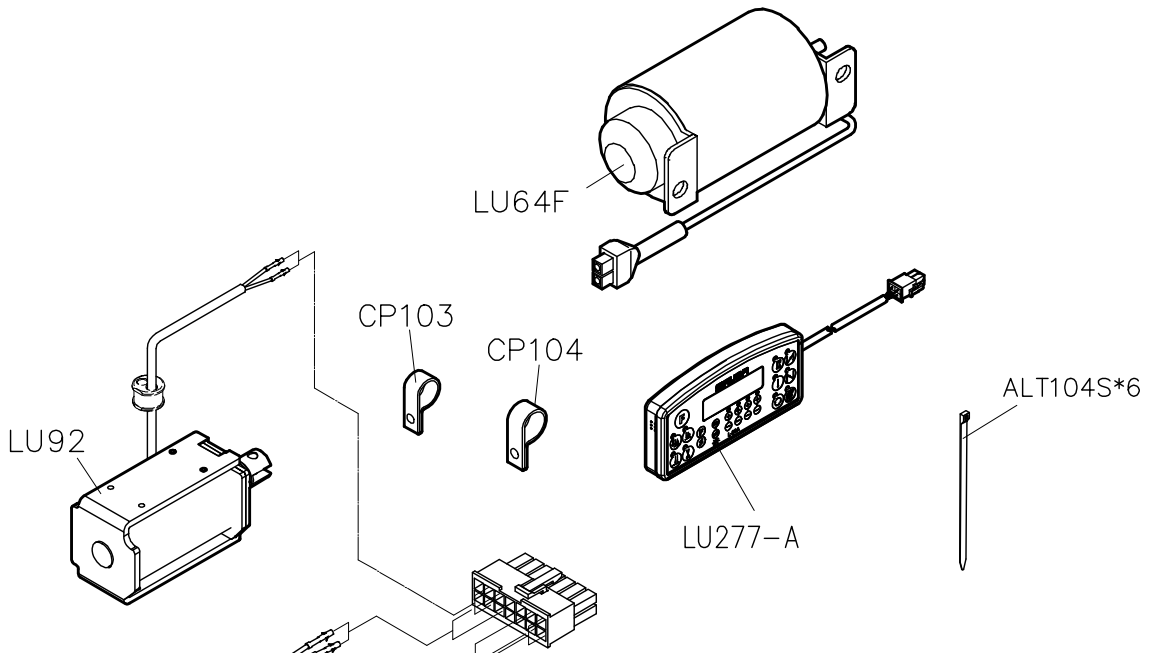
丁牌用

A



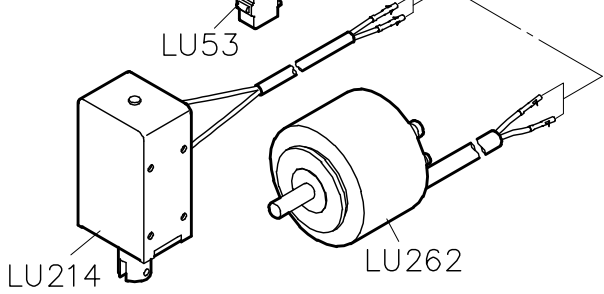
B

C



D

E



機 型	CP102使用數量	CP104使用數量
DL918-XX-00	3	0
DL918-XX-01	2	1
DL918-XX-02	3	0
DL918-XX-03	2	1
DL918-XX-10	2	1
DL918-XX-11	1	2
DL918-XX-12	2	1
DL918-XX-13	1	2

1

2

3

4

5

<b>SIRUBA</b> <b>PARTS LIST</b>	<b>Series</b>	<b>Parts Group</b>	<b>Subclass / Remark</b>	<b>Page</b>
	<b>DL918-RM1</b>	<b>LU</b>		<b>7/7</b>
				<b>Date</b>
				<b>2012/11/01</b>

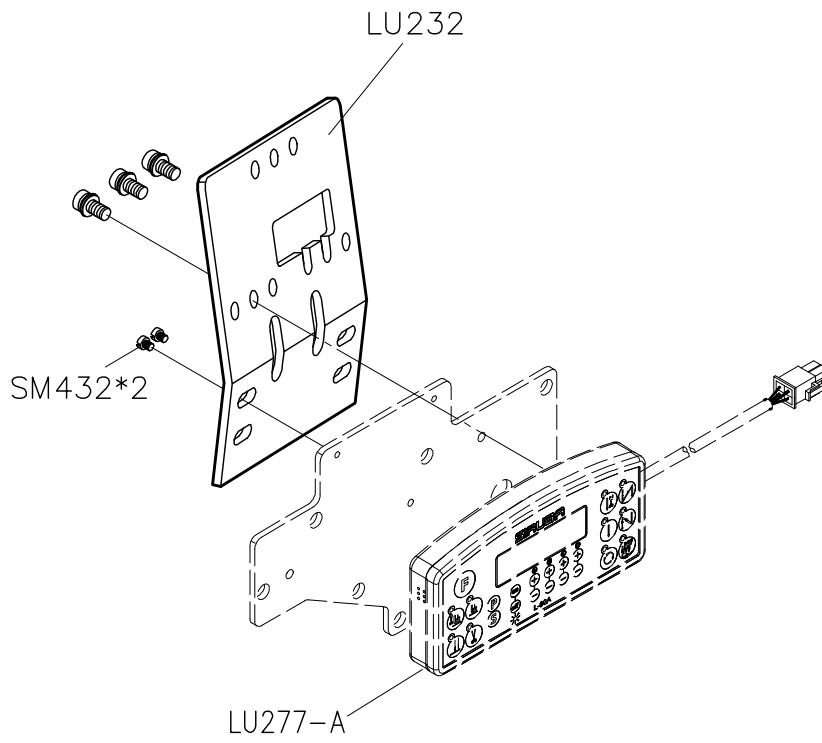
A

B

C

D

E



代碼 NO.	操作面板 Control Panel	代碼 NO.	自動切線 Auto THREAD Trimmer	快速倒縫 Reverse Feeding	撥線桿 Wiper	自動抬押具 Auto Lifer
1	LU277-A	0	v	v	—	—
		1	v	v	V	—
		2	v	v	—	v
		3	v	v	v	v

1

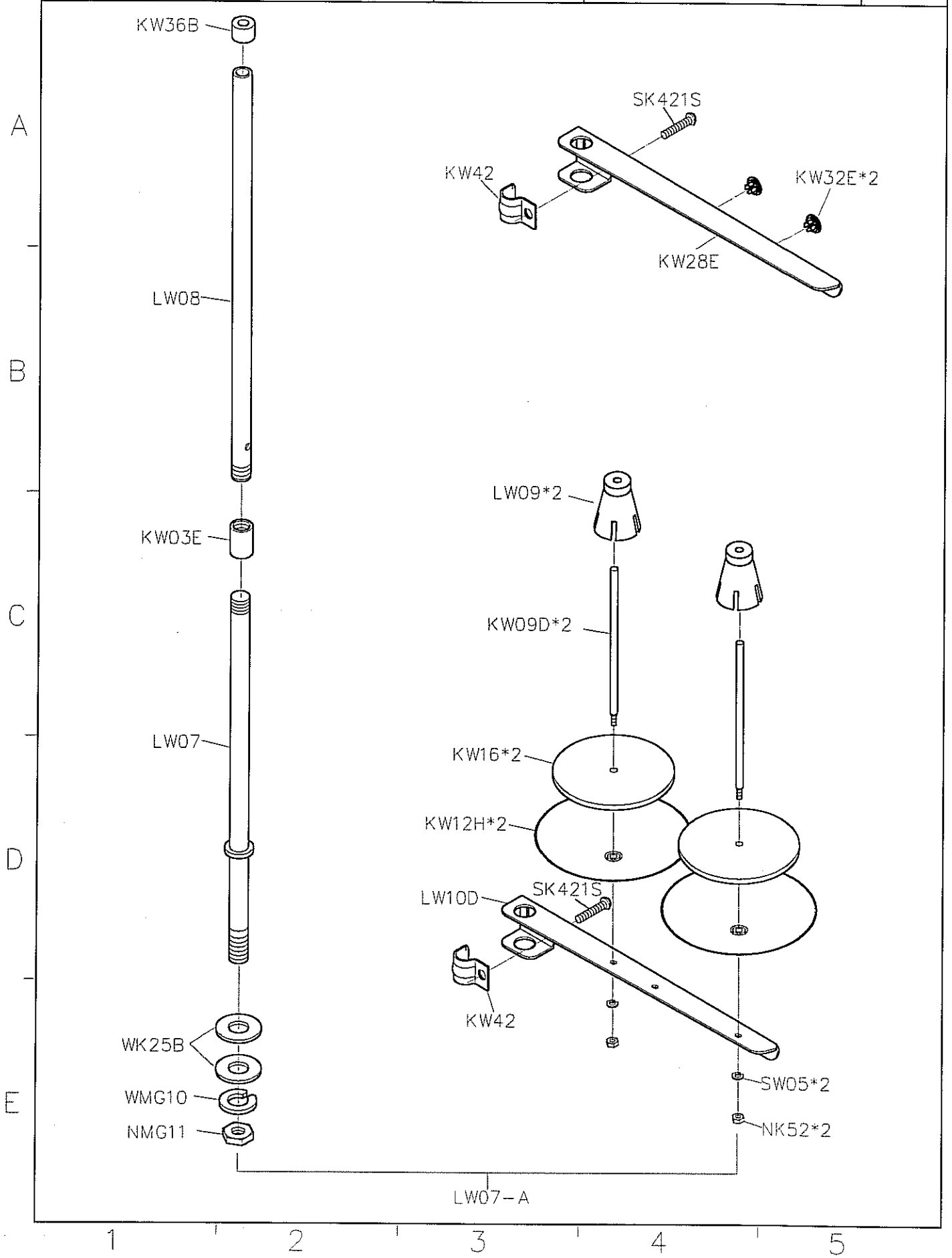
2

3

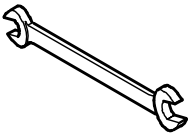

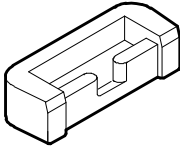
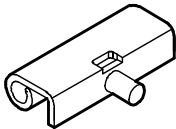

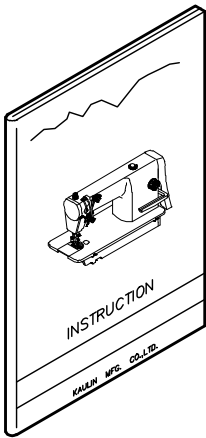
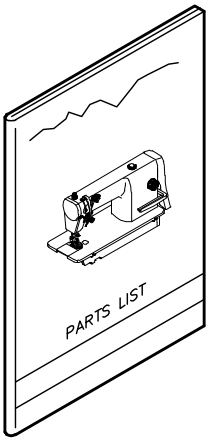
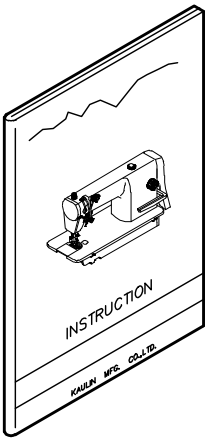
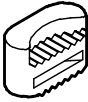




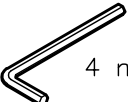

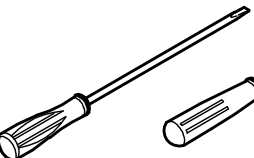
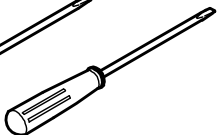
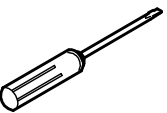

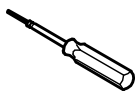

4

5

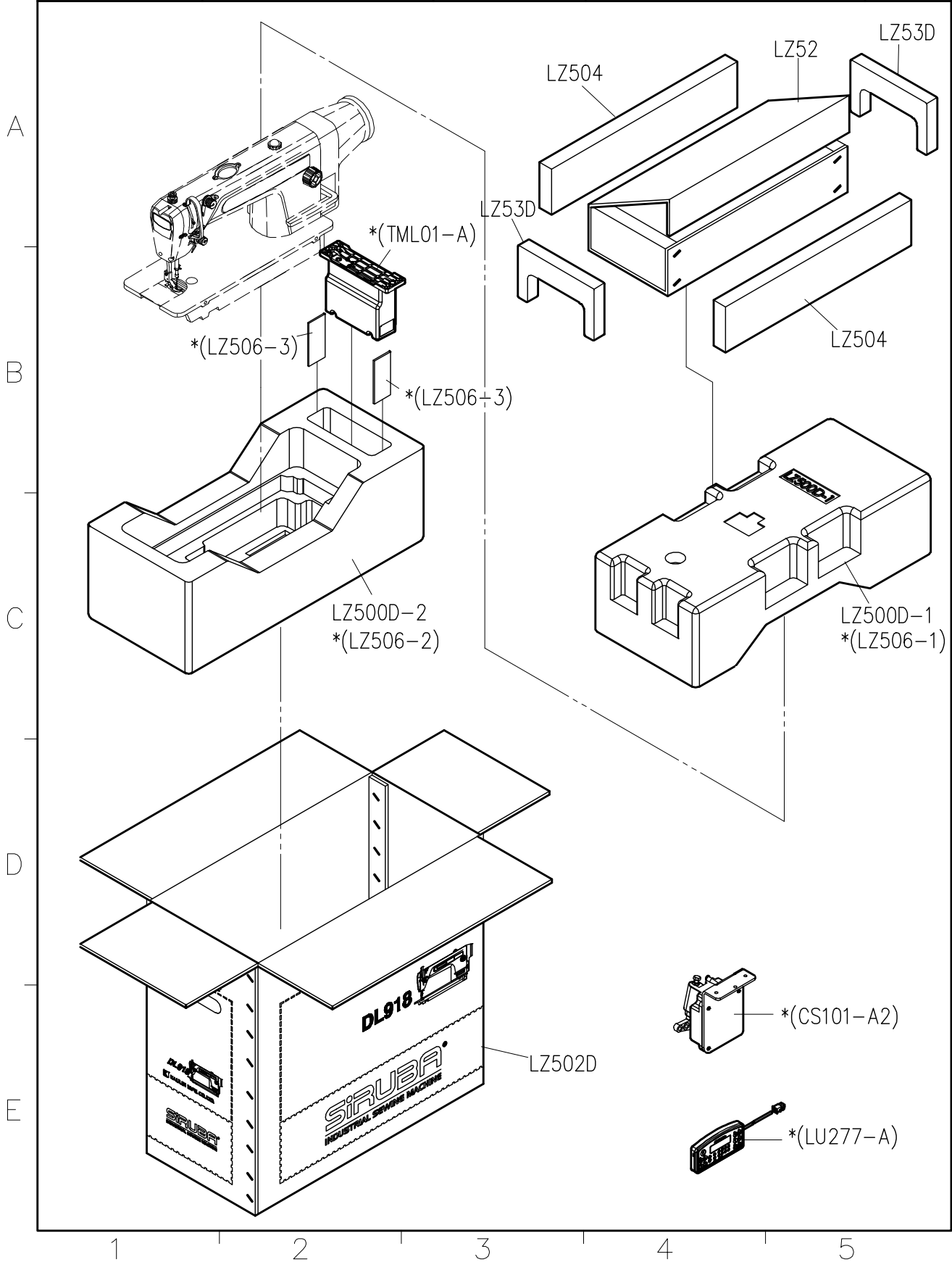
SIRUBA PARTS LIST	Series	Parts Group	Subclass / Remark	Page
	DL918-RM1	LW		1/1
				Date
				2012/04/10



<b>SIRUBA</b> <b>PARTS LIST</b>	<b>Series</b>	<b>Parts Group</b>	<b>Subclass / Remark</b>	<b>Page</b>
	<b>DL918-RM1</b>	<b>LY</b>		1/1
				<b>Date</b>
				2012/11/01

A	LY01	LY02	YM04*2	LY05*2	YM102*2
					
	LY219	LY525	LY501	YM103*2	
					
				G303	
C					
D	針*2	LY38	KY201	MY12	KZ03*1
					
E	LY33	LY34	LY35	LY37-A	KY14
					
					ALT104S*2
					
	1	2	3	4	5

SIRUBA PARTS LIST	Series	Parts Group	Subclass / Remark	Page
	DL918-RM1	LZ		1/1
				Date
				2012/12/22



<b>SIRUBA</b> TABLE CUT - OUT	<b>Series</b>	<b>Item Code</b>	<b>Subclass / Remark</b>	<b>Mounting</b>
	<b>DL918/DL7000</b>	<b>DL918T-T1</b>		Fully-submerged
				Date
				2013/01/01

